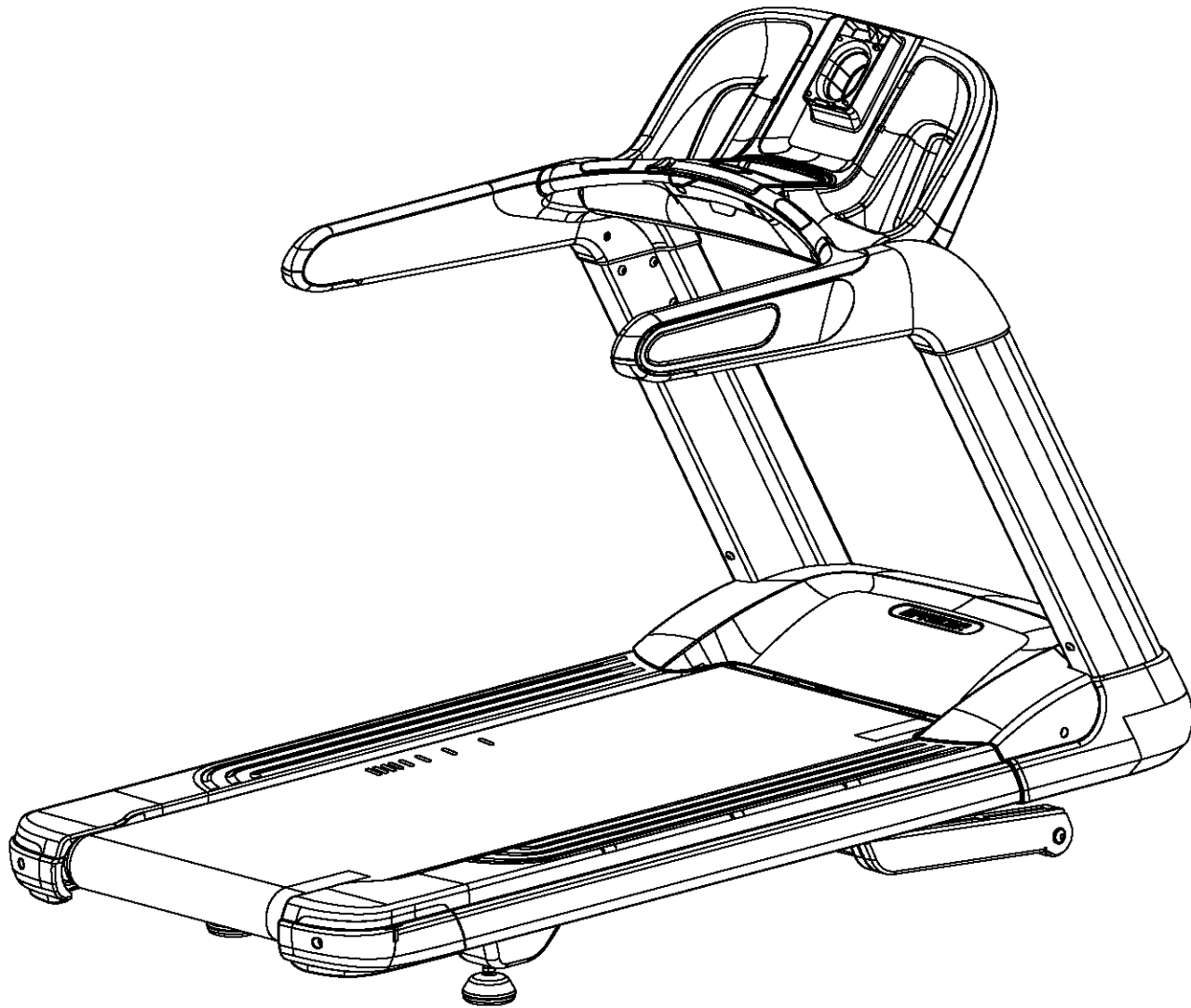


D

C

B

A



PRODUCT:  
TRM885/TRM835/TRM811

**PRECOR**

DRWN BY	5/15/14	KAW	SIZE
CS	5/14/14	BG	A

PAGE	1 OF 7
------	--------

DWG. NO.	303155-101
----------	------------

SUBREV	A06
--------	-----

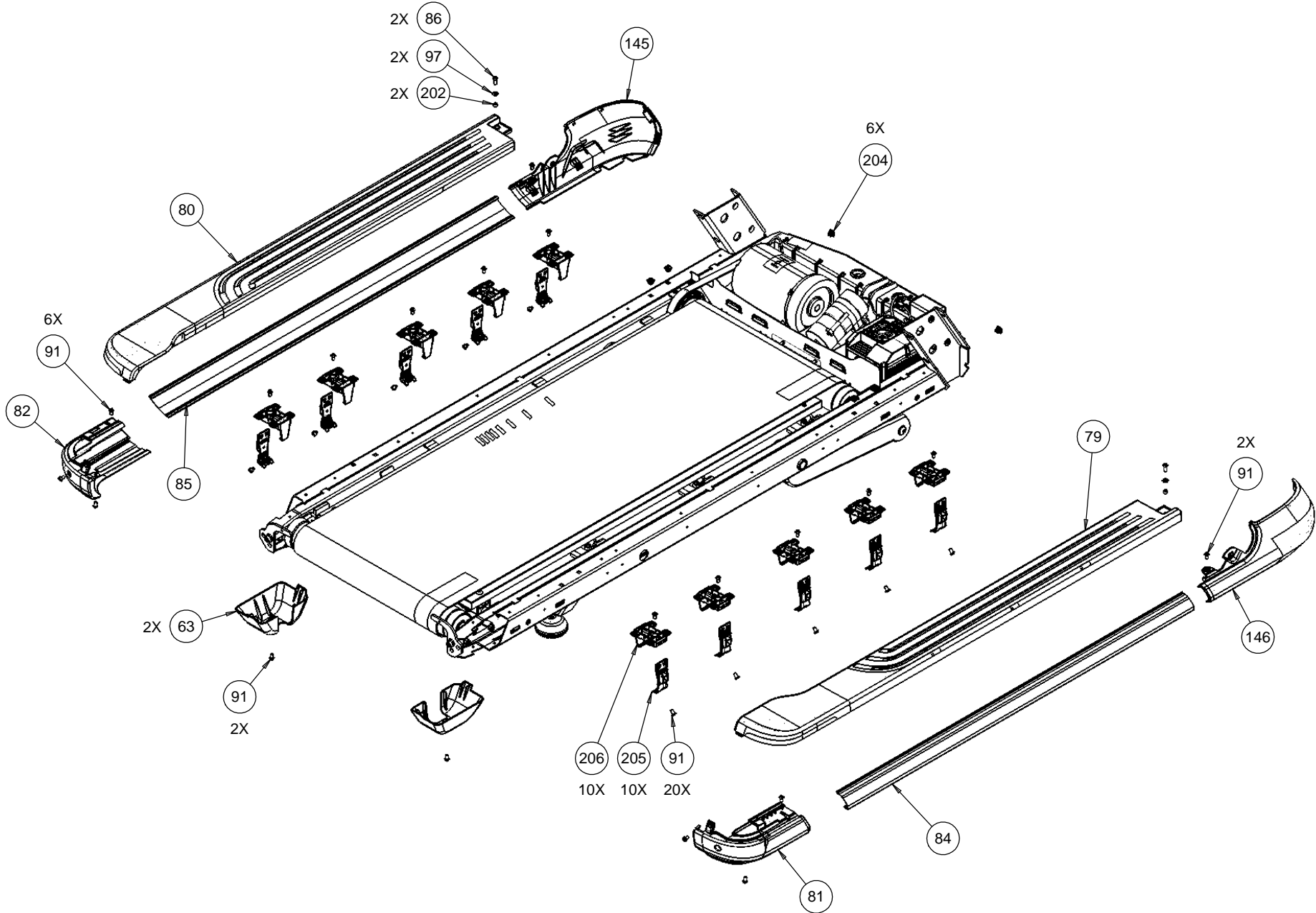
DRAWING TEMPLATE REV. B

D

C

B

A





D

C

B

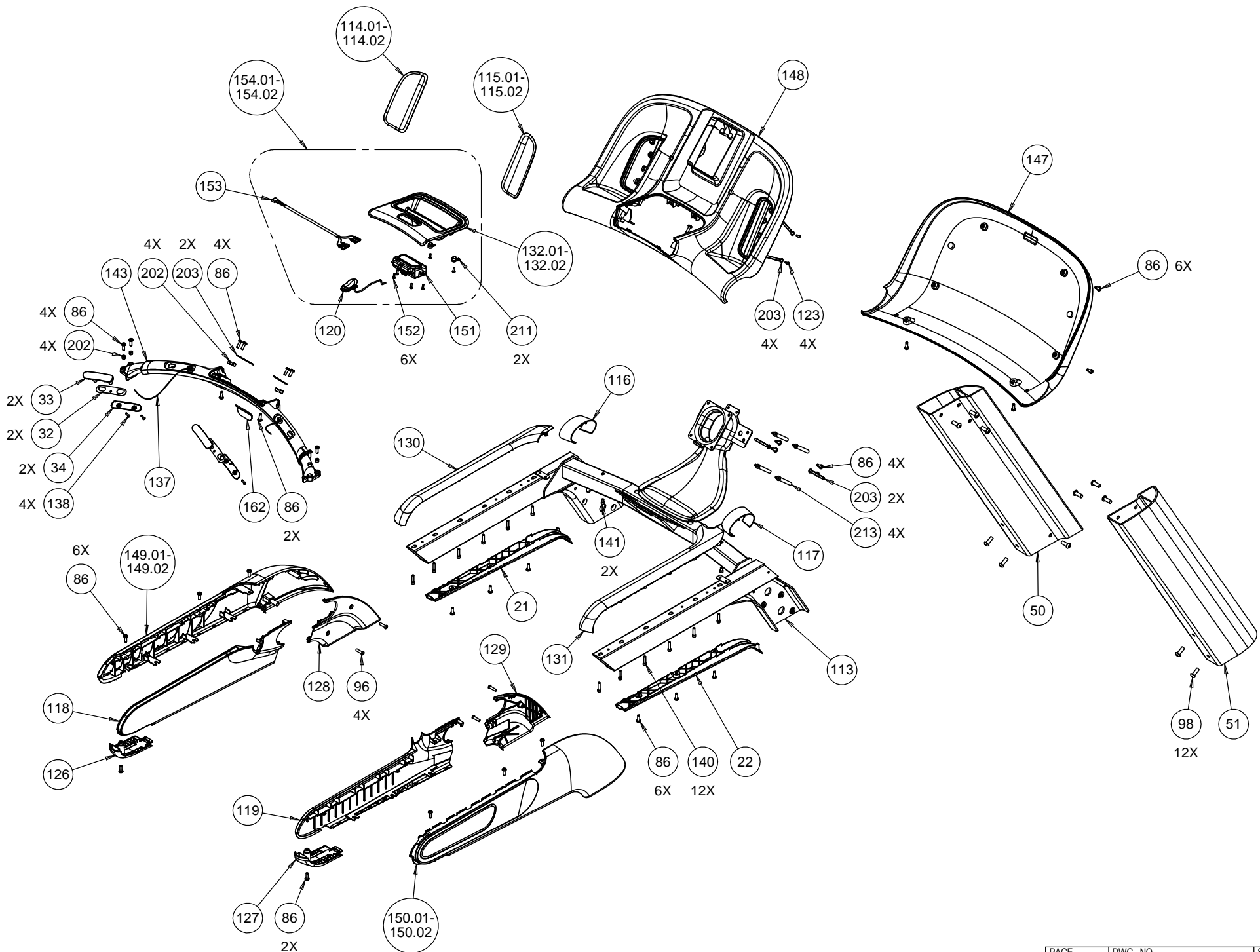
A

4

3

2

1



D

C

B

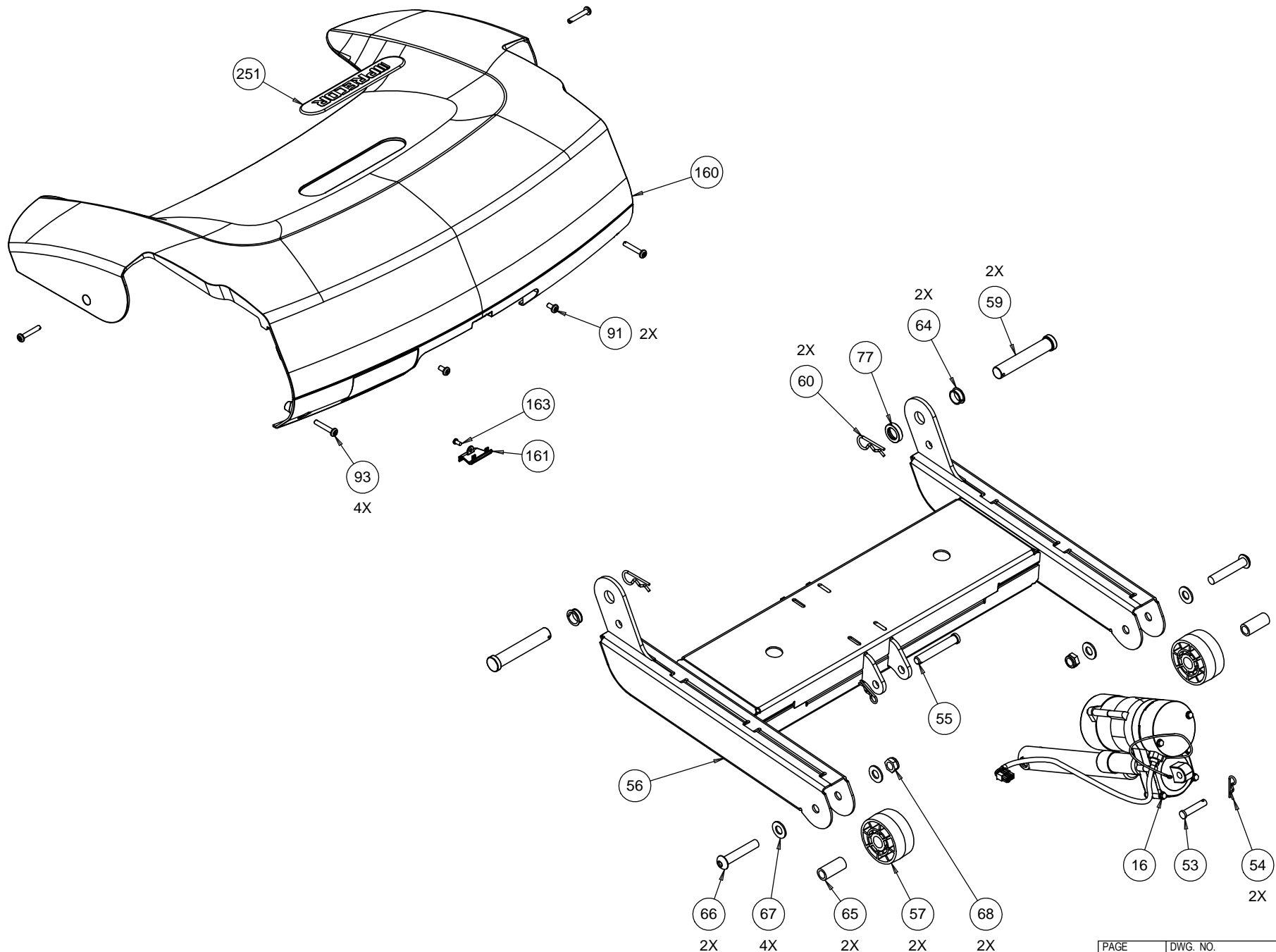
A

4

3

2

1



D

C

B

A

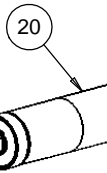
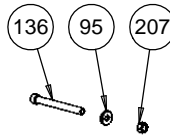
4

3

2

1

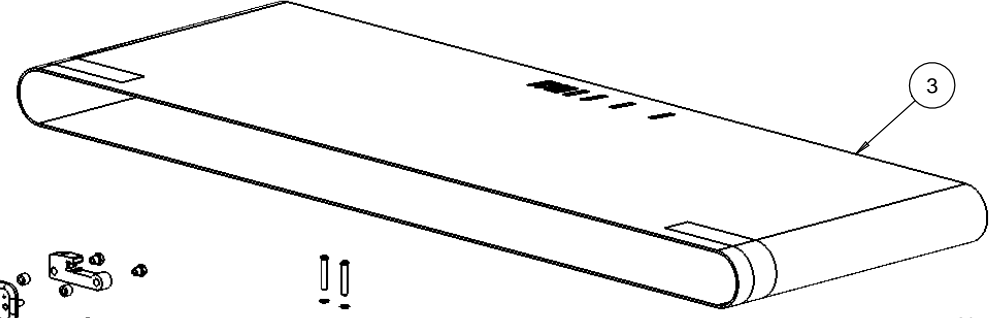
2X 2X 2X



88

4X 133  
4X 134  
2X 75

139 158 159 89  
4X 2X 4X



2

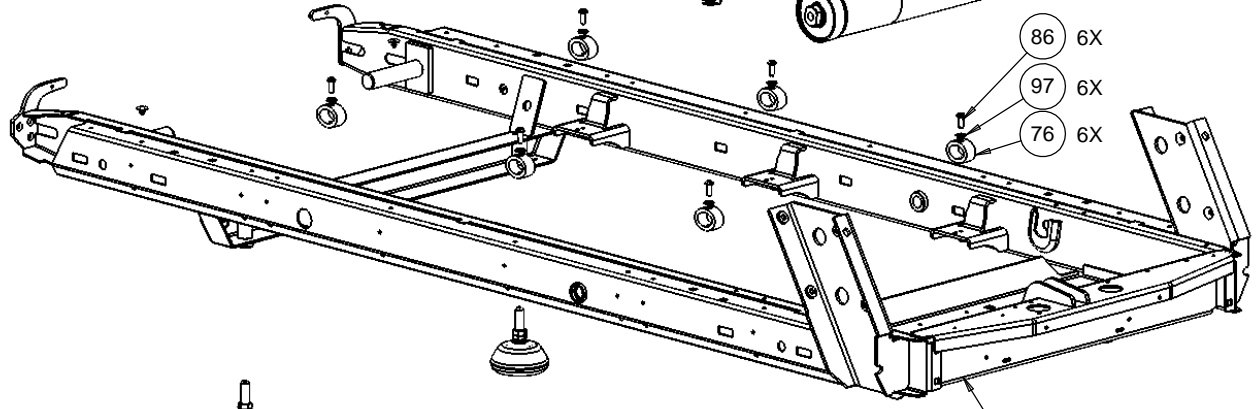
2X 14

2X 13

91

15

19



86 6X  
97 6X  
76 6X

1

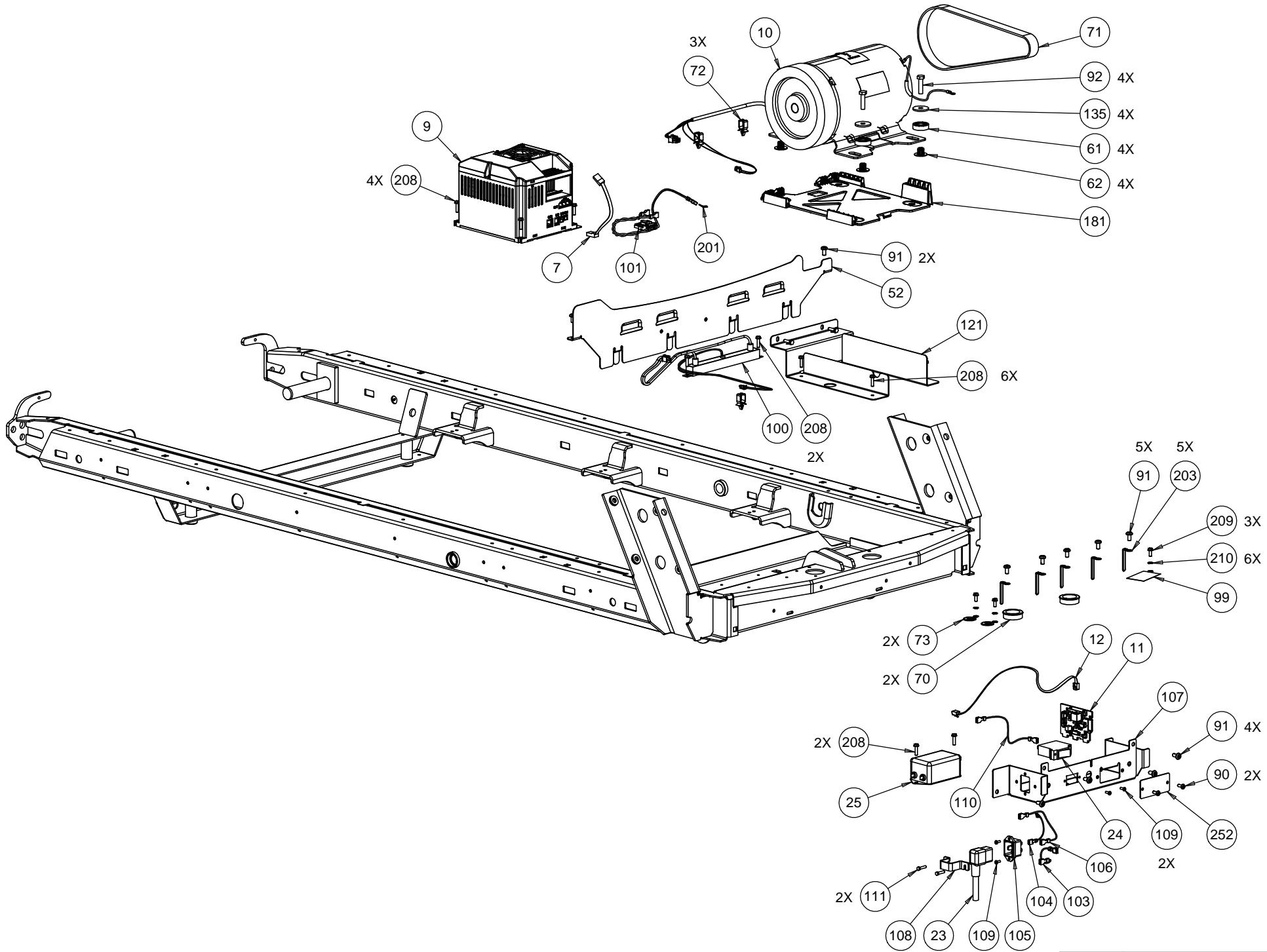
124  
2X

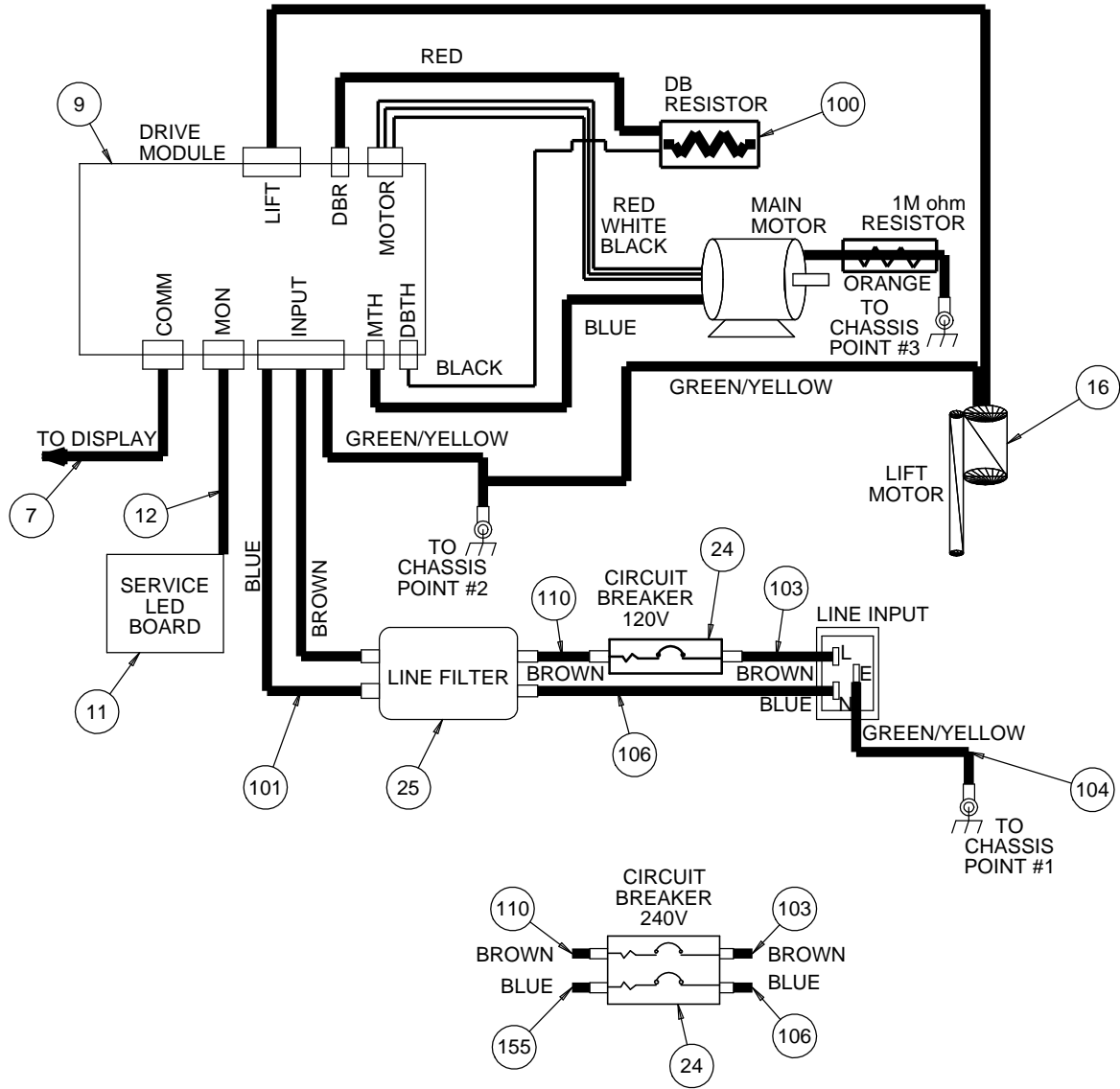
D

C

B

A





Bubbel #	OEM Part Number	Part Description
2	PPP00000058097102	DECK W/SHIPPER,TRM800 (WITH WAX)
2.02	PPP000000013254101	PINE TREE CLIP: REMOVABLE, REUSABLE
3	PPP000000302449101	RUNNING BELT
7	PPP000000044905108	ASSY,CBL,MOD,8P8C,1-1,SILVER,108 in.
9	PPP000000303785105	ASSY,ADT-DRIVE,COMMERCIAL 120V
10	PPP000000058099101	KIT, BOXED, MOTOR DRIVE,COMMERCIAL
11	PPP000000302497101	ASSY, SERVICE LED BOARD
12	PPP000000041605018	ASSY,CBL,MOD,6P4C,1-1,SILVER,18 in.
13	PPP000000013277101	CLIP, U TYPE, SPRING STEEL, KEYHOL
14	PPP0000MACTN025163	SCREW, FLAT HD SOCKET CAP, 1/4-20 X
15	PPP000000302495101	ROLLER KEEPER, LH
16	PPP000000302625105	MOTOR, LIFT ACTUATOR, 120V, 282S PO
19	PPP000000302420107	ASSEMBLY, ROLLER, DRIVE
20	PPP000000304650101	ASSEMBLY, ROLLER, TAKE UP, BOLT TEN
21	PPP000000302517101	COVER,BOTTOM,LH,SILVER GRAY
22	PPP000000302517102	COVER,BOTTOM,RH,SILVER GRAY
23	PPP000000047429144	PWR CORD,125VAC,20A,NEMA 5-20RA45/I
24	PPP000000011462143	CKT BRKR,250V,MAGNETIC,ROCKER,1 PO
25	PPP000000011350101	FILTER, POWER LINE, #10 PANEL MOUNT
30	PPP000000303502101	ASSEMBLY, UPPER HHR CONTACT WITH C
31	PPP000000302414101	CONTACT, HHR LOWER, STAINLESS
32	PPP000000302418101	GASKET, HHR CONTACT
50	PPP000000303787101	TARGA EXTRUSION, LEFT, CLEAR ANO
51	PPP000000303787102	TARGA EXTRUSION, RIGHT, CLEAR ANO
52	PPP000000302508101	DUST GUARD
53	PPP000000010401106	PIN,CLEVIS, 3/8 X 1.75, ZINC
54	PPP000000010400103	PIN, HITCH, .093 DIA, ZINC, #203
55	PPP000000045669107	PIN, LIFT PIVOT, 3.34, MUSHROOM HEA
56	PPP000000302468101	WELDMENT, LIFT PLATFORM, PAINTED
57	PPP000000044270101	WHEEL, LIFT
59	PPP000000302485101	PIN, LIFT PIVOT
60	PPP000000010400106	PIN, HITCH, .125 DIA, ZINC, #216
61	PPP000000302616103	WASHER, TOP HAT, MOTOR
62	PPP000000302617102	WASHER, BOTTOM, MOTOR
63	PPP000000302516101	PLASTIC, FOOT COVER
65	PPP000000036192101	BUSHING, SPANNER
66	PPP00000HCTN050275	SCREW,HEX,GR 5,1/2-13X2-3/4,BLK SHR
67	PPP00000WBZN050008	WASHER, FLAT,1/2,.086 BLK CVS
68	PPP0000KBTKN050055	NUT, HEX FLANGE, NYLON INSERT, 1/2,
70	PPP000000010178112	BUSHING, SNAP
71	PPP000000010214101	BELT, DRIVE, 280J10 POLY V, TEM
72	PPP000000011278101	CABLE CLAMP,INSERT
73	PPP000000033984101	LABEL, SAFETY, GROUND SYMBOL
75	PPP000000303380101	ASSY, PIVOT, REAR DECK
76	PPP000000302482101	CUSHION, GFX

Bubbel #	OEM Part Number	Part Description
77	PPP00000302475101	SPACER, LIFT PLATFORM
79	PPP00000302540102	ASSY,TRIM LANDING W/INSERT BLUE,RH
80	PPP00000302540101	ASSY,TRIM LANDING W/INSERT BLUE,LH
81	PPP00000302589102	ASSY,END CAP,RH,SILVER GRAY
82	PPP00000302589101	ASSY,END CAP,LH,SILVER GRAY
84	PPP00000303788104	EXTRUSION, SIDE TRIM, RH,ANNO
85	PPP00000303788103	EXTRUSION, SIDE TRIM, LH,ANNO
86	PPP0000PANTN025075	SCREW, SELF TAPPING, 1/4-20 X 0.75,
88	PPP00000302481105	PLATE, REAR ROLLER MOUNT LH
89	PPP00000302481106	PLATE, REAR ROLLER MOUNT RH
90	PPP0000PANTN019075	SCREW,S/T,#10-24X3/4,PANHD,PHIL,TRI
91	PPP0000PANTN025075	SCREW, SELF TAPPING, 1/4-20 X 0.75,
93	PPP0000PANTN025150	SCREW, SELF TAPPING, 1/4-20 X 1.50,
95	PPP0000WAVCN038015	WASHER,FLAT,TYP A,3/8,STL,CLR ZN
96	PPP00000TAMN025100	SCREW,BTHD,1/4-20X1,BLK ZN,(MECH PL
97	PPP0000WAWNN038004	WASHER,INTERNAL TOOTH LOCK,3/8,STAI
98	PPP00000THME038056	SCREW, BHCS, 3/8-16 X 9/16, STL, ME
99	PPP00000302542101	LABEL, WARNING, BLEED DOWN CABLE AT
100	PPP00000303056101	ASSY,DB RESISTOR W/THERMAL SWITCH,8
101	PPP00000303042010	CABLE, FILTER TO DRIVE MODULE,10 in.
102	PPP000000037436101	LABEL, CHASIS NEUTRAL
103	PPP000000040193005	ASSY,CBL,1C,12AWG,250X032 QD RECP(X
104	PPP000000040195008	CBL,1C,14AWG, #10 RING,250X032 QD R
105	PPP000000045381101	IEC 16/20A POWER CORD INLET
106	PPP00000302226009	ASSY,CBL,1C,12AWG,250X032 QD RECP(X
107	PPP00000302466101	BRACKET, POWER ENTRY
109	PPP00000MGCN013038	SCREW,MCH,6-32X3/8,PANHD,PHIL,
110	PPP000000040193009	ASSY,CBL,1C,12AWG,250X032 QD RECP(X
111	PPP00000HNCN016075	HHCS,MCH,#8-32 X .75,STL,CLR ZN
113	PPP00000302430101	WELDMENT, DASH STRUCTURE, POWDER CO
114.01	PPP00000302439101	BUCKET, DASH, BASIC TRIM OPTION, LH
114.02	PPP00000302441101	BUCKET,PREMIUM OPTION,LH,BASALT GRA
115.01	PPP00000302439102	BUCKET, DASH, BASIC TRIM OPTION, RH
115.02	PPP00000302441102	BUCKET,PREMIUM OPTION,RH,BASALT GRA
116	PPP00000303789101	COVER, ELLIPTICAL DASH TO HANDRAIL
117	PPP00000303789102	COVER, ELLIPTICAL DASH TO HANDRAIL
118	PPP00000302509101	COVER,SIDEBAR,LH,SILVER GRAY
119	PPP00000302509102	COVER,SIDEBAR,RH,SILVER GRAY
120	PPP000000044021104	CLIP ASSEMBLY
121	PPP00000302622101	SHIELD COVER, BRAKE RESISTOR
123	PPP00000PMTN016050	SCREW,TCS,#8X1/2,PHIL,BLK SHARPERIZ
124	PPP00000304623101	FOOT, REAR LEVELING
126	PPP00000302511101	LED BLUE ACCENT, HANDRAIL, LEFT
127	PPP00000302511102	LED BLUE ACCENT, HANDRAIL, RIGHT

Bubbel #	OEM Part Number	Part Description
128	PPP000000302510101	PANEL,SIDEBAR,LH,SILVER GRAY
129	PPP000000302510102	PANEL,SIDEBAR,RH,SILVER GRAY
130	PPP000000303223103	TOP HANDCOVER, ASSEMBLY, LH, PAC BL
131	PPP000000303223104	TOP HANDCOVER, ASSEMBLY, RH, PAC BL
132.01	PPP000000302489101	TRAY, DASH, PLASTIC
132.02	PPP000000058106101	KIT, TRAY, DASH, PREMIUM, OVERMOLDE
133	PPP00000YCTN031200	SCREW, LOW PROFILE SHCS, ALLOY STEE
134	PPP00000WRTN031009	WASHER,FLAT,NARROW,5/16,GR8 STL,BLA
135	PPP0000WABCN031011	WASHER,FENDER,EXTRA THICK,HARDENED
137	PPP000000303187052	ASSY, CABLE, CHR PCA TO GRIP, JACKE
138	PPP000000013451125	SCREW,SELF-TAP,TRI,TORX,#8 X 1.25,P
139	PPP000000013246101	NUT, BARREL
140	PPP000000013560107	#10-14 X 1, 6 LOBE PAN PLAST ALT 48
141	PPP00000CATN025038	SCREW,SKHD,1/4-20X3/8,BLK SHRPRZD
143	PPP000000302409102	HHHR BAR,MOLDED,PAC BLUE
145	PPP000000302506103	ASSY,CORNER COVER,LH,SILVER GRAY
146	PPP000000302506104	ASSY,CORNER COVER,RH,SILVER GRAY
147	PPP000000302411101	COVER,DASH BACK,PAC BLUE
148	PPP000000302410101	COVER,DASH FRONT,PAC BLUE
149.01	PPP000000302512101	COVER,SIDEBAR,BASIC,LH,SILVER GRAY
149.02	PPP000000302512103	COVER,SIDEBAR,PREM.,LH,SILVER GRAY/
150.01	PPP000000302512102	COVER,SIDEBAR,BASIC,RH,SILVER GRAY
150.02	PPP000000302512104	COVER,SIDEBAR,PREM.,RH,SILVER GRAY/
151	PPP000000302525101	ASSY, EMERGENCY STOP SWITCH
152	PPP00000MGCN016050	SCREW,MCH,8-32X1/2,PANHD,PHIL,
153	PPP000000303049030	ASSY,CABLE W/JACKET,E-STOP PLUS SOF
154.01	PPP000000302492101	ASSEMBLY, TRAY AND STOP SWITCH, BAS
154.02	PPP000000302491101	TRAY,STOP SWITCH,PREM,BASALT GRAY
158	PPP000000302487101	EXTRUSION, REAR ROLLER ADJUSTMENT (
159	PPP000000302493101	SPACER, REAR ROLLER ADJUSTMENT
160	PPP000000302498102	ASSEMBLY, HOOD
161	PPP000000303157101	INDICATOR, STATUS, LIGHT PIPE
162	PPP000000302446101	DOCK, STOP SWITCH LANYARD CLIP
163	PPP0000PARCN019038	SCREW,SELF-TAP,TRI,PAN HD PHIL,#10
181	PPP000000302614101	ISOLATOR, PLASTIC MOTOR
200	PPP000000303304106	HARDWARE KIT W/STAR, TRM800-14
201	PPP000000010622102	CONN,QK DISC,TAB,250X032,45DEG,0.19
202	PPP000000013216101	HARDWARE, COMPRESSION LIMITER 6MM X
203	PPP000000013217101	WIRE CLAMP, .25 INCH FASTENER, META
204	PPP000000013222101	SQUARE PLASTI-GROMMET, 1/4 IN FSTNR
205	PPP000000302440101	ANCHOR, SIDE TRIM
206	PPP000000302520101	TRIM LANDING, ANCHOR, MOUNTING BLOC
208	PPP0000PBDCA019075	SCREW,SELF-TAP,TRI,WASHER HD HEX,10
209	PPP0000PBJCG019050	SCREW,SELF-TAP,TYPF,WASHER HD HEX/S



<b>Bubbel #</b>	<b>OEM Part Number</b>	<b>Part Description</b>
210	PPP0000WAMCN019002	WASHER, LOCK, EXT TOOTH, #10
211	PPP000000302488101	CLIP, TRAY MOUNTING
213	PPP00000CAMN025050	SCREW,SKHD,1/4-20X0.50,ZN (MECH PLA
250	PPP000000011075105	FUSE,2.00A,250VAC,SLO,RAD,UL248-14
251	PPP000000300678101	LABEL, HOOD ALUMINUM, NEW LOGO
252	PPP000000303538101	BLANKING PLATE, INTERFACE
300	PPP000000058114101	KIT, TRM 800 MOTOR THERMAL SWITCH C
301	PPP000000051117103	CS KIT - TRM800 BELT TRACKER
302	PPP000000304461101	ASSY,FAN,24DC,1.38 in. LEADS,W/CONNECT
999	PPP000000304170900	TRM 800 LITERATURE KIT